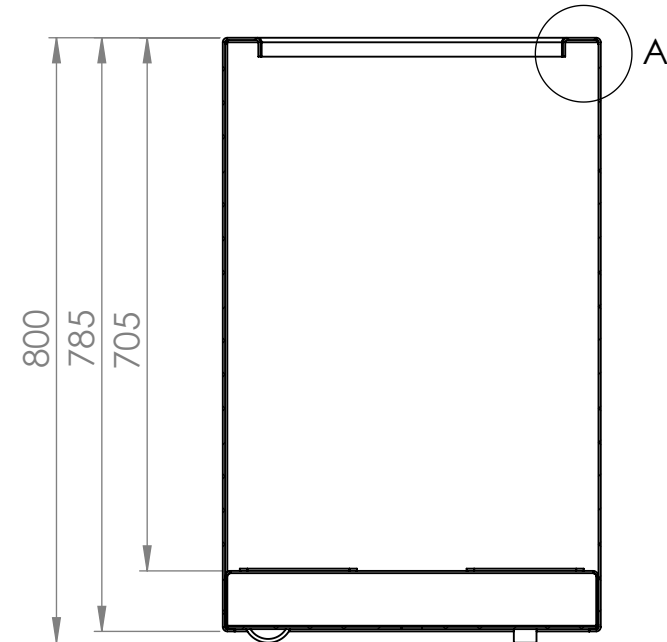
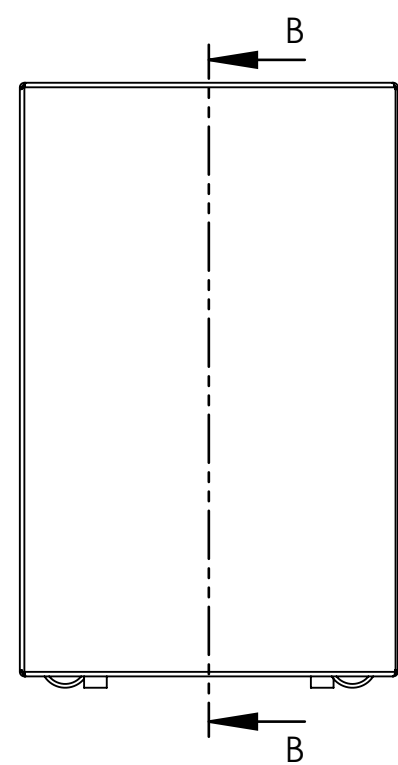
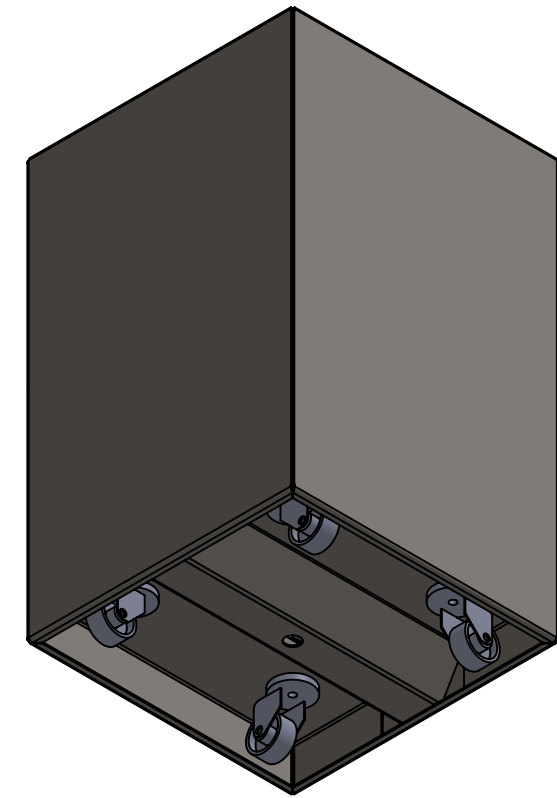
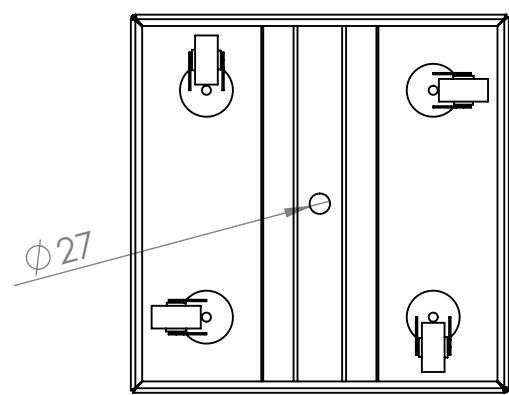
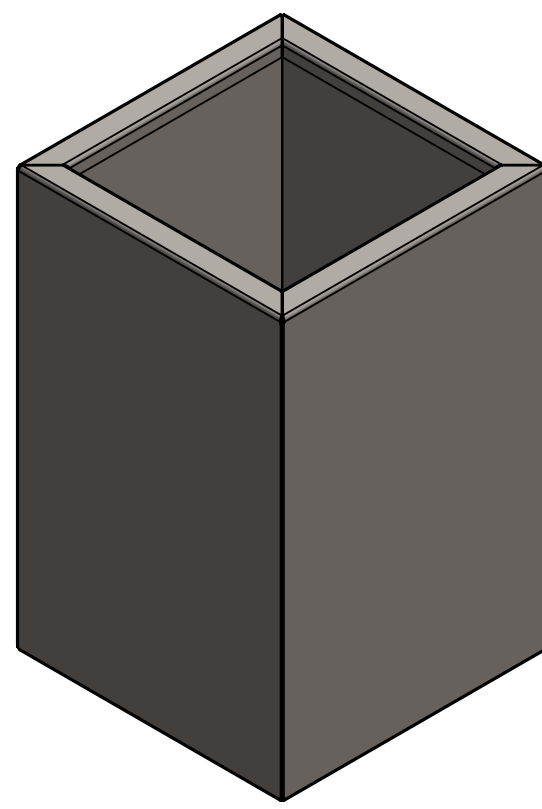


DETAIL A  
SCALE 1 : 2



SECTION B-B



		DATE		TITLE:
DRAWN	Luuk van den Heuvel	18-2-2021		
REVISION	Pleuni Bongers	26-5-2021		Drawing:
				AFWL 9.1



Liessentstraat 4, 5405 AG Uden (NL).  
 t 0031 (0)413 - 27 41 68.  
 e info@adezz.com, i www.adezz.com

Color:	Mass (kg): <b>18.03</b>	SCALE:1:10	SHEET 1 OF 5
--------	-------------------------	------------	--------------

A3