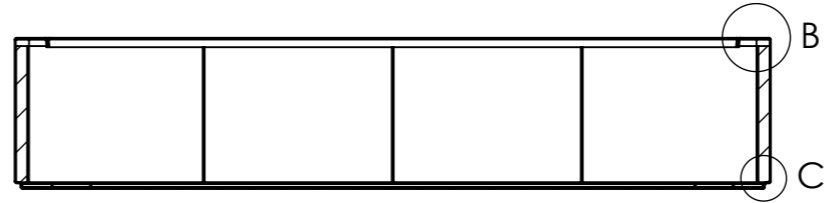
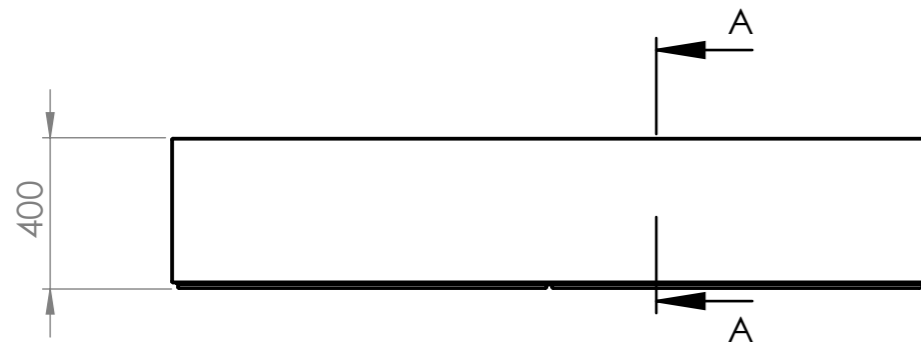
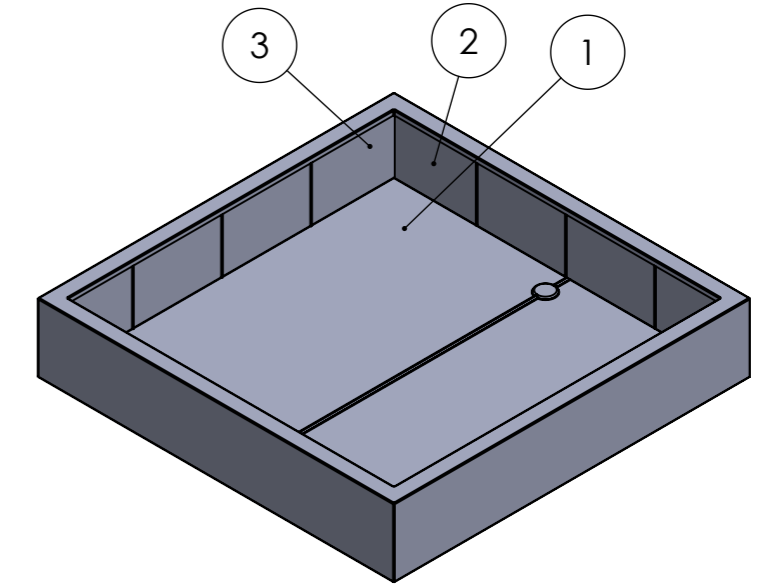
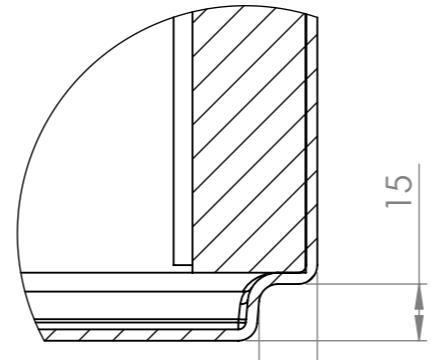
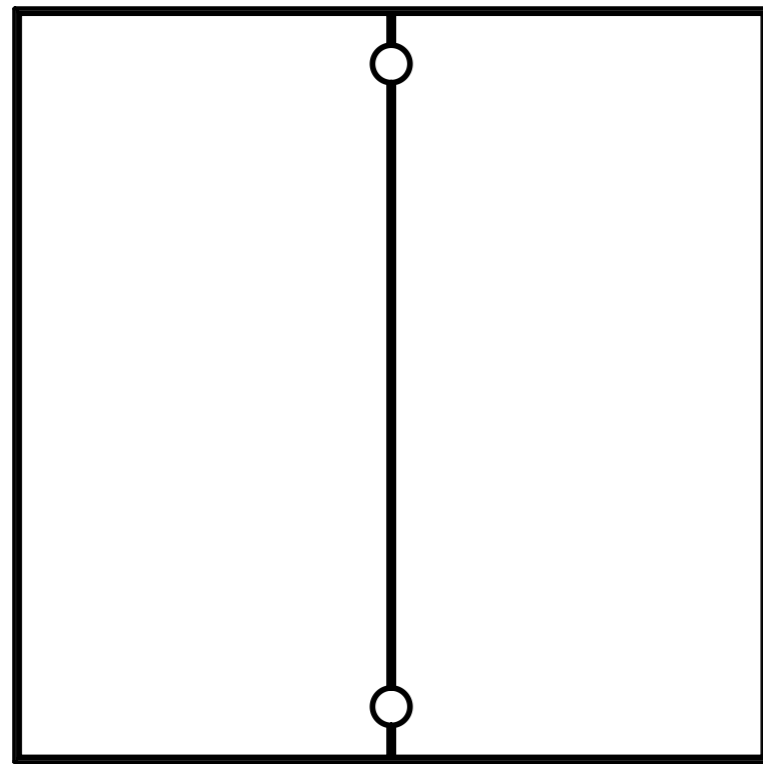
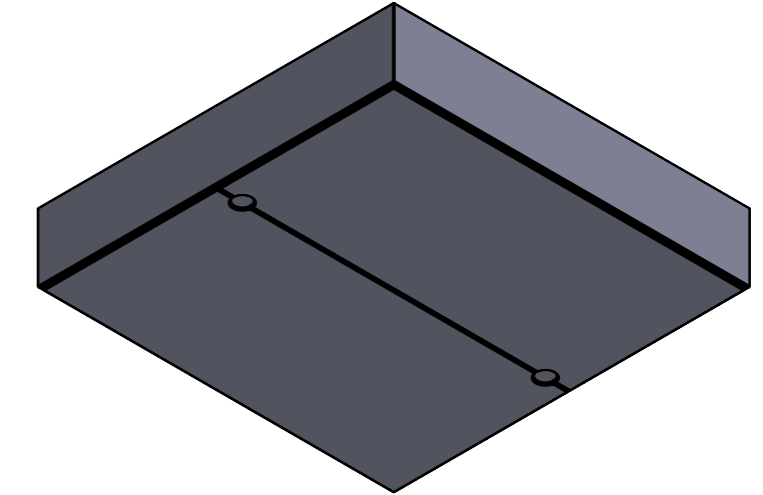


DETAIL B  
SCALE 1 : 2



SECTION A-A



DETAIL C  
SCALE 1 : 2

ITEM NO.	PART NUMBER	THICKNESS	DESCRIPTION	QTY.
1	PB1.3 Polyester	3 mm	Fibreglass	1
2	PB1.3 EPS60 2			4
3	PB1.3 EPS60			12

DRAWN	Joris Koppens	DATE	1-10-2019
REVISION			

TITLE: 3 mm Fibreglass



Liessentstraat 4, 5405 AG Uden (NL).  
t 0031 (0)413 - 27 41 68.  
e info@adezz.com, i www.adezz.com

Drawing: PB1.3 2000x2000x400 A3