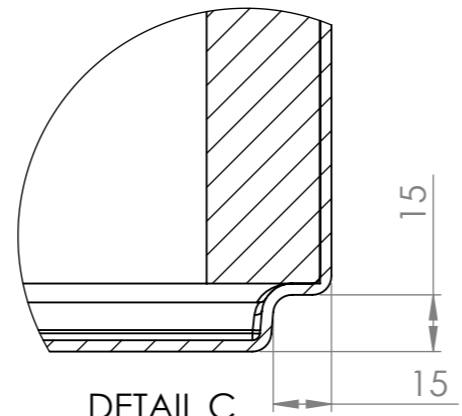
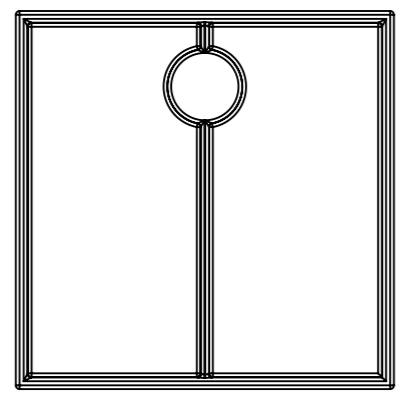
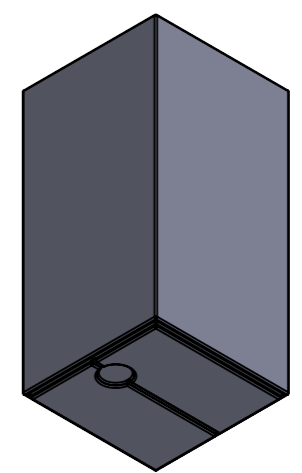


SECTION A-A
SCALE 1 : 10



ITEM NO.	PART NUMBER	DESCRIPTION	QTY.
1	PB9.2 Polyester		1
2	PB9.2 EPS60		4

DRAWN	Joris Koppens	DATE	3-10-2019
REVISION			



Liessentstraat 4, 5405 AG Uden (NL).
 † 0031 (0)413 - 27 41 68.
 e info@adezz.com, i www.adezz.com

TITLE:	3mm Fibreglass	
Drawing:	PB9.2 500x500x1000	A3
SCALE:1:20		SHEET 1 OF 3

Color: - Mass (kg):