

1 2 3 4 5 6 7 8

A

A

B

B

C

C

D

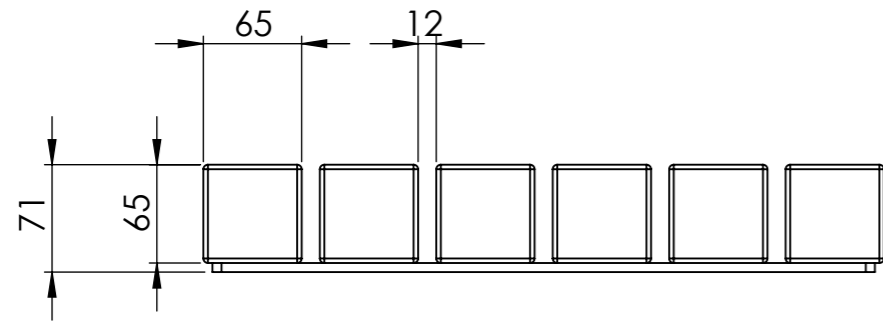
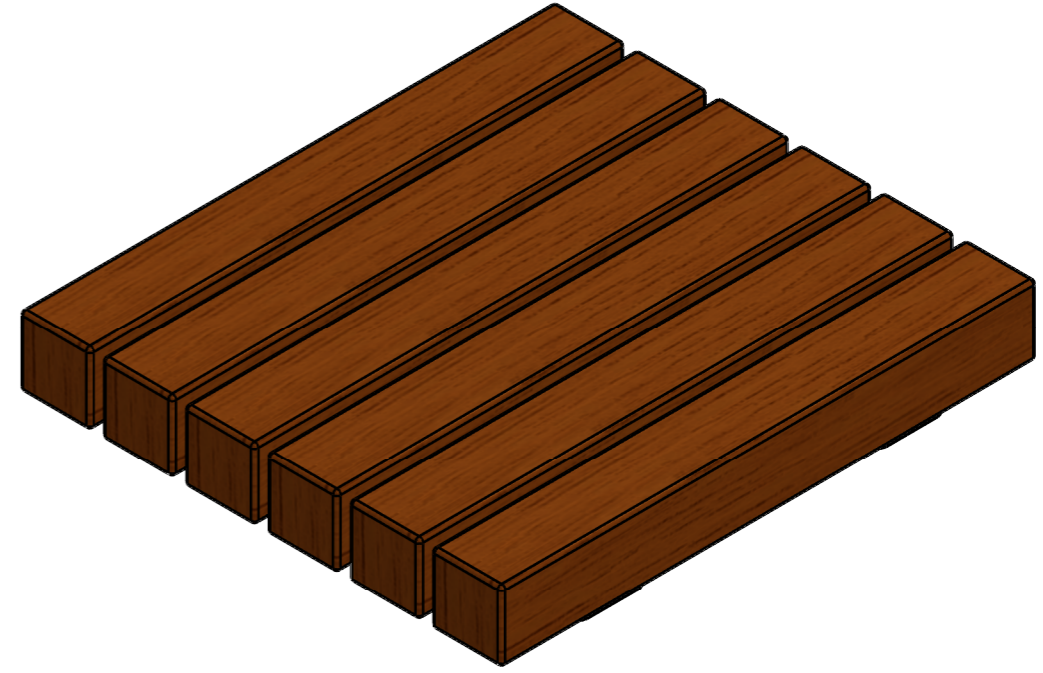
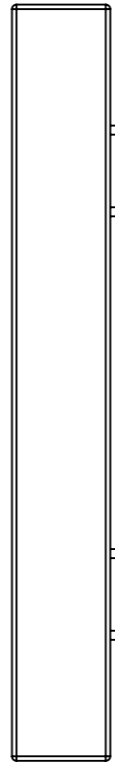
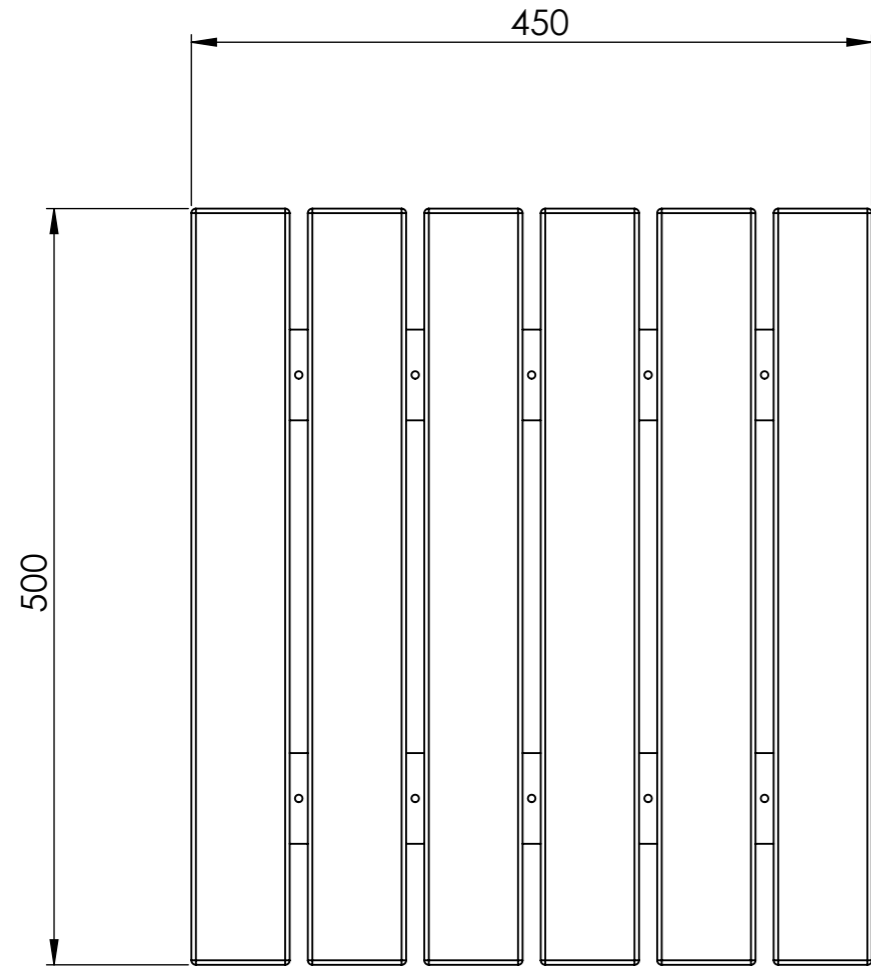
D

E

E

F

F



DRAWN	Dorus Bannenberg	DATE	10-12-2020		TITLE:	RS.BS.500	
REVISION					Drawing.	RS.BS.500	A3
		Liessentstraat 4, 5405 AG Uden (NL). † 0031 (0)413 - 27 41 68. e info@furns.nl, i www.furns.nl			SCALE:1:5	SHEET 1 OF 4	
Color:	-	Mass(kg):	13.47				

1 2 3 4