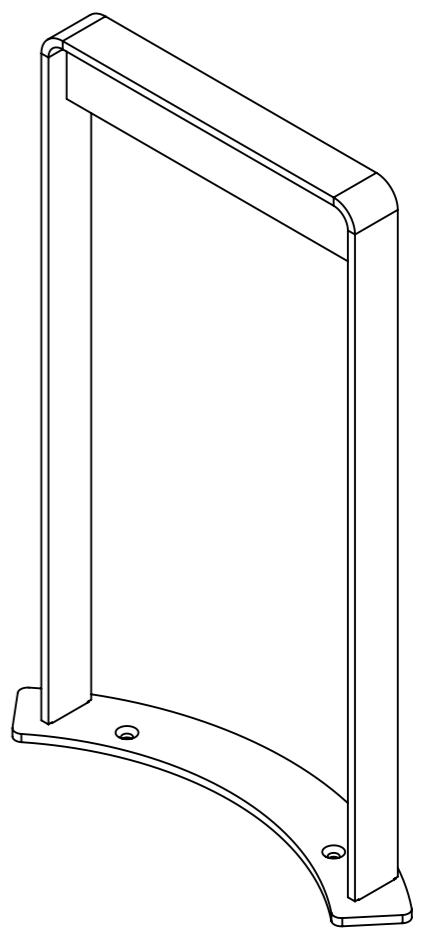
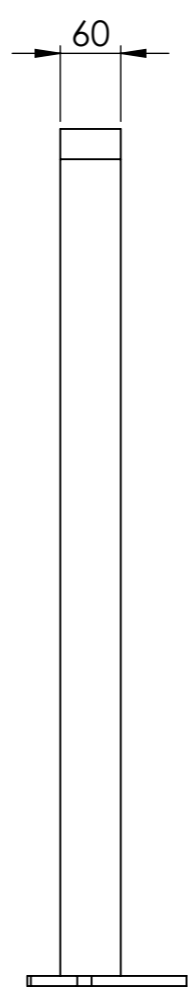
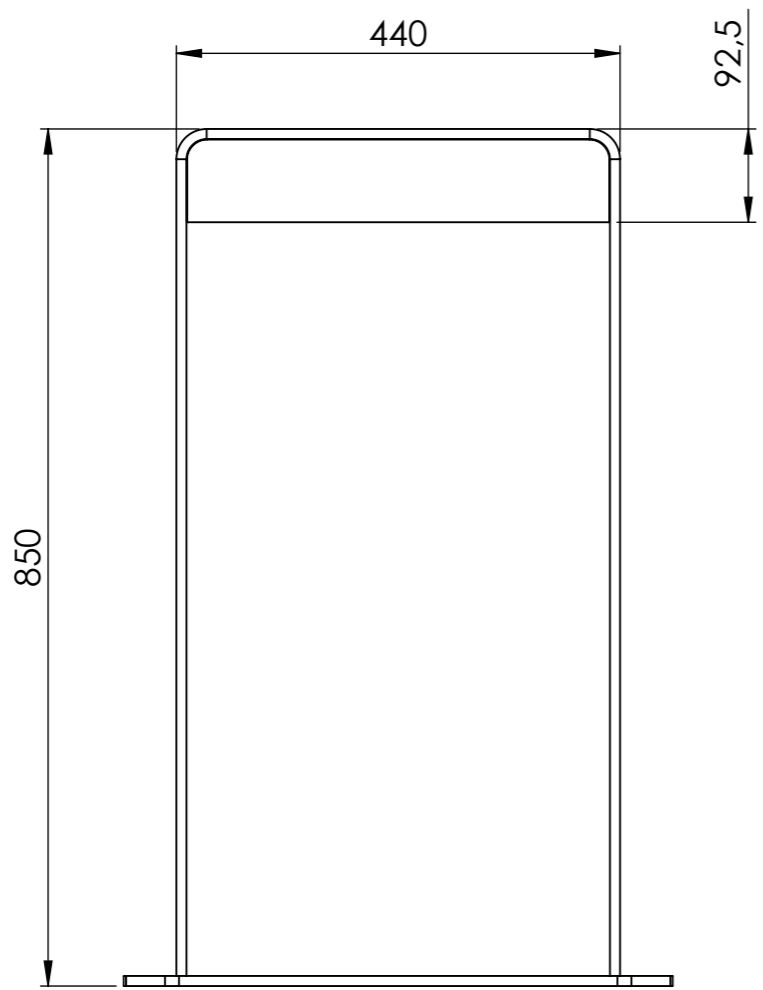
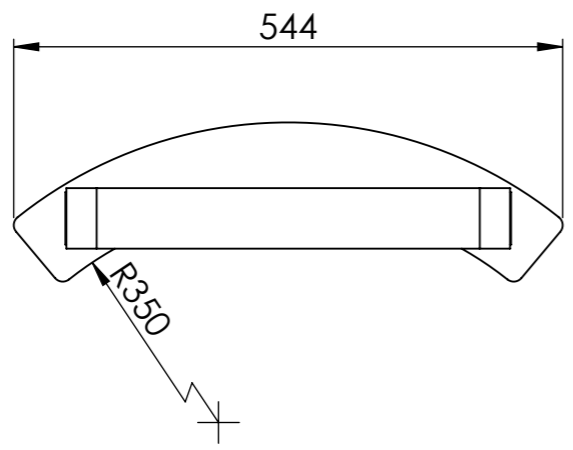


1 2 3 4 5 6 7 8

A
B
C
D
E
F



DRAWN	Pleuni Bongers	DATE	28-1-2021		TITLE:			
REVISION					STTG.S700			
				Liessentstraat 4, 5405 AG Uden (NL). † 0031 (0)413 - 27 41 68. e info@furns.nl, † www.furns.nl		Drawing:	STTG.S700	A3
Color:	-	Mass(kg):	15.68	SCALE:	1:7.5	SHEET 1 OF 5		

1 2 3 4