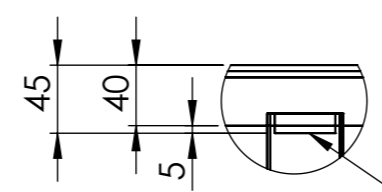


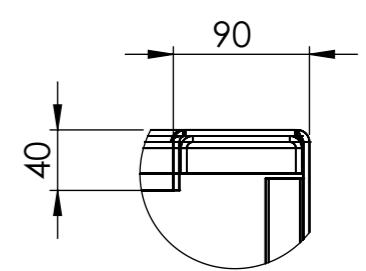
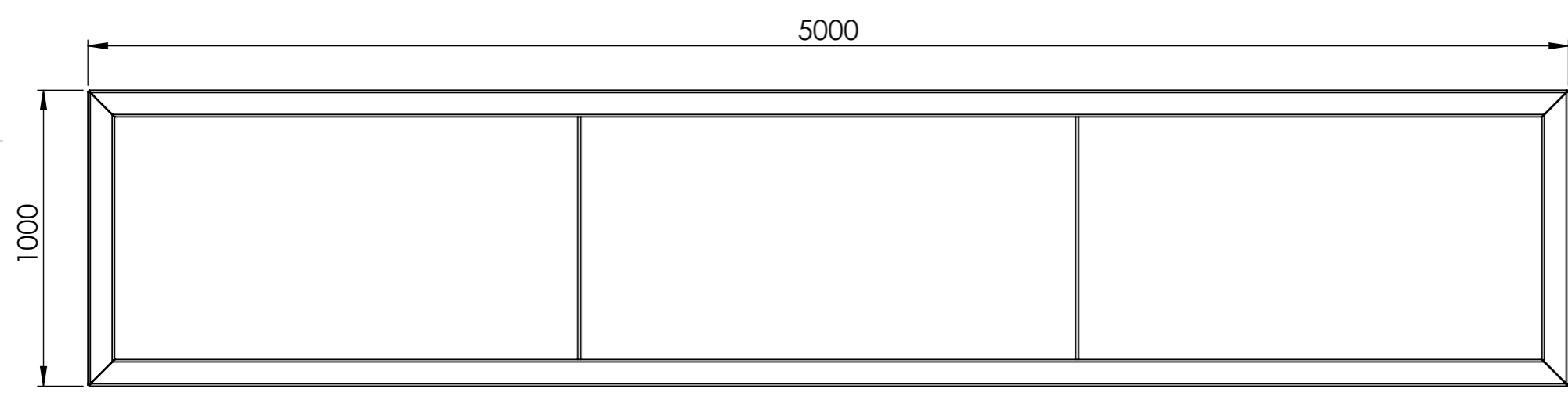
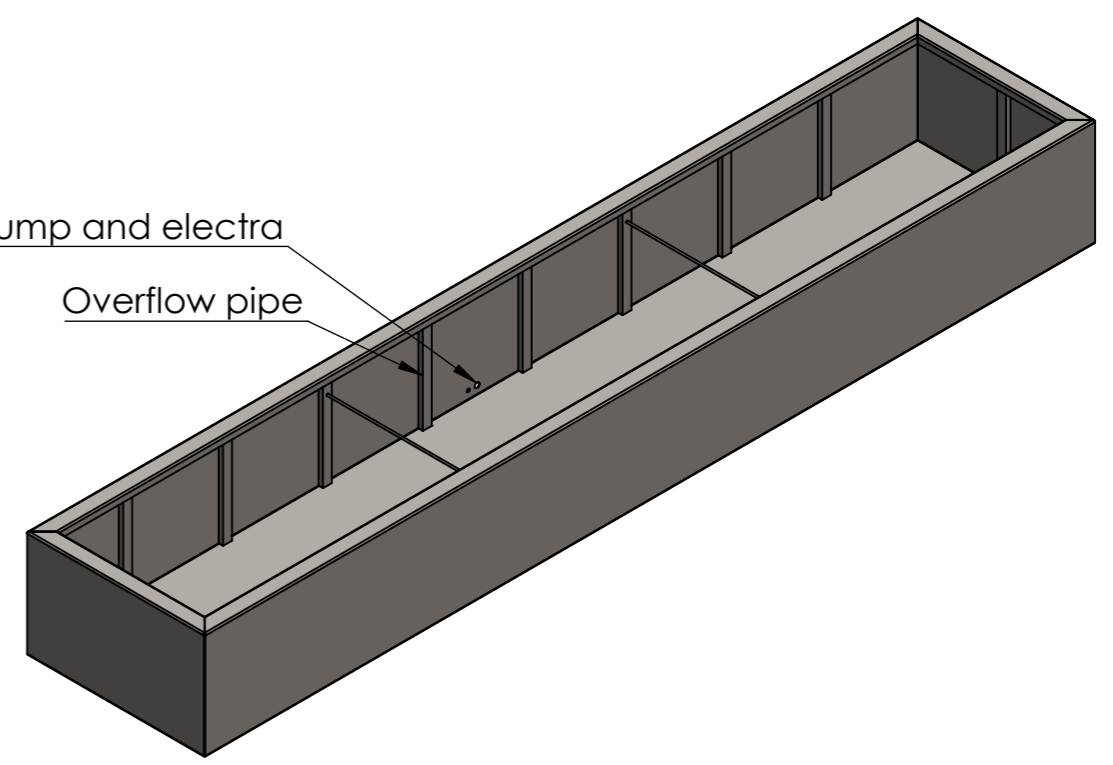
DETAIL C
SCALE 1 : 5



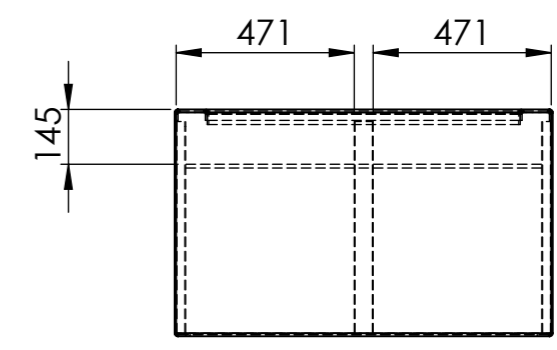
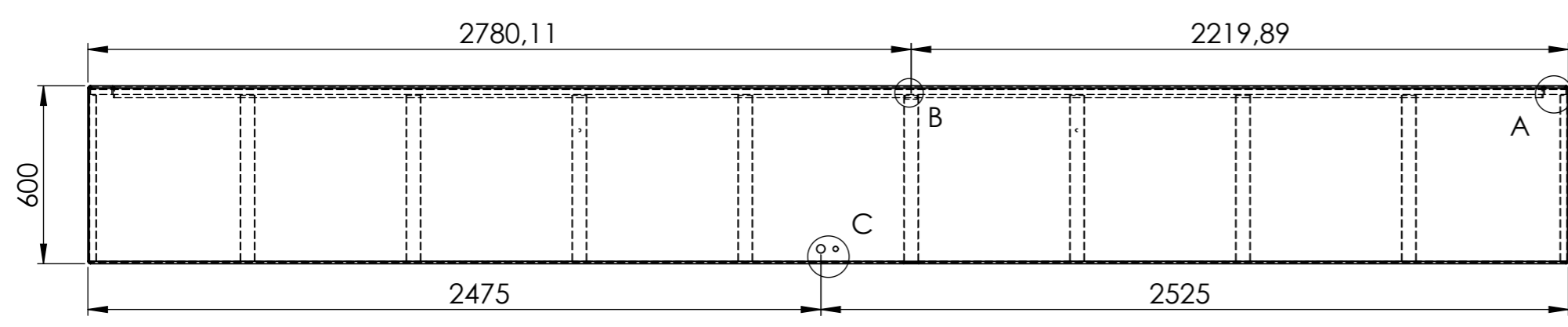
DETAIL B
SCALE 1 : 5
Overflow

Pump and electra

Overflow pipe



DETAIL A
SCALE 1 : 5



**Overflow pipe and holes for pump and electra placement on request!
Approval drawings will be made and send accordingly.**

DRAWN	Luuk van den Heuvel	DATE	27-1-2020		TITLE:	4mm Aluminium	
REVISION					Drawing:	VA2_SLDDRW	A3
		Liessentstraat 4, 5405 AG Uden (NL). † 0031 (0)413 - 27 41 68. e info@adezz.com, i www.adezz.com		Color:	-	Mass (kg):	172.06
				SCALE:1:20	SHEET 1 OF 12		