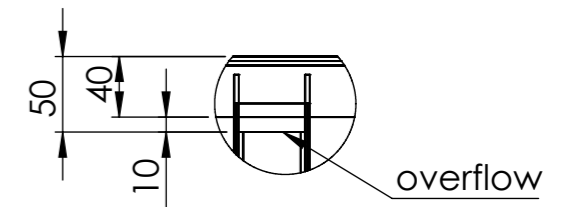
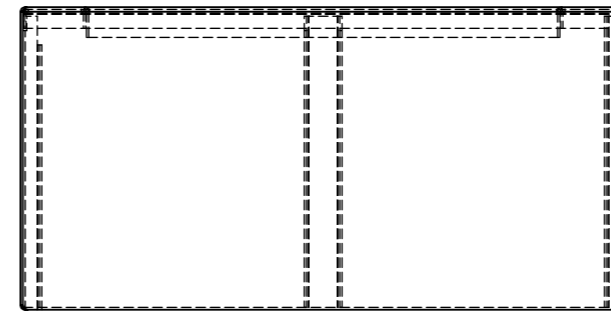
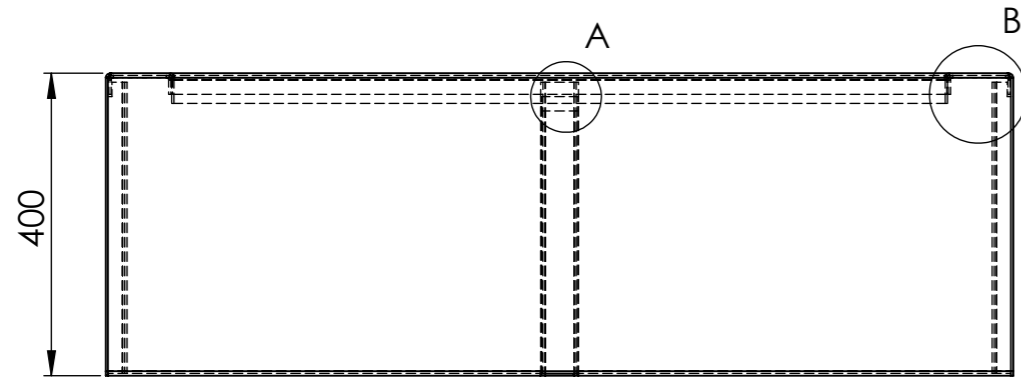
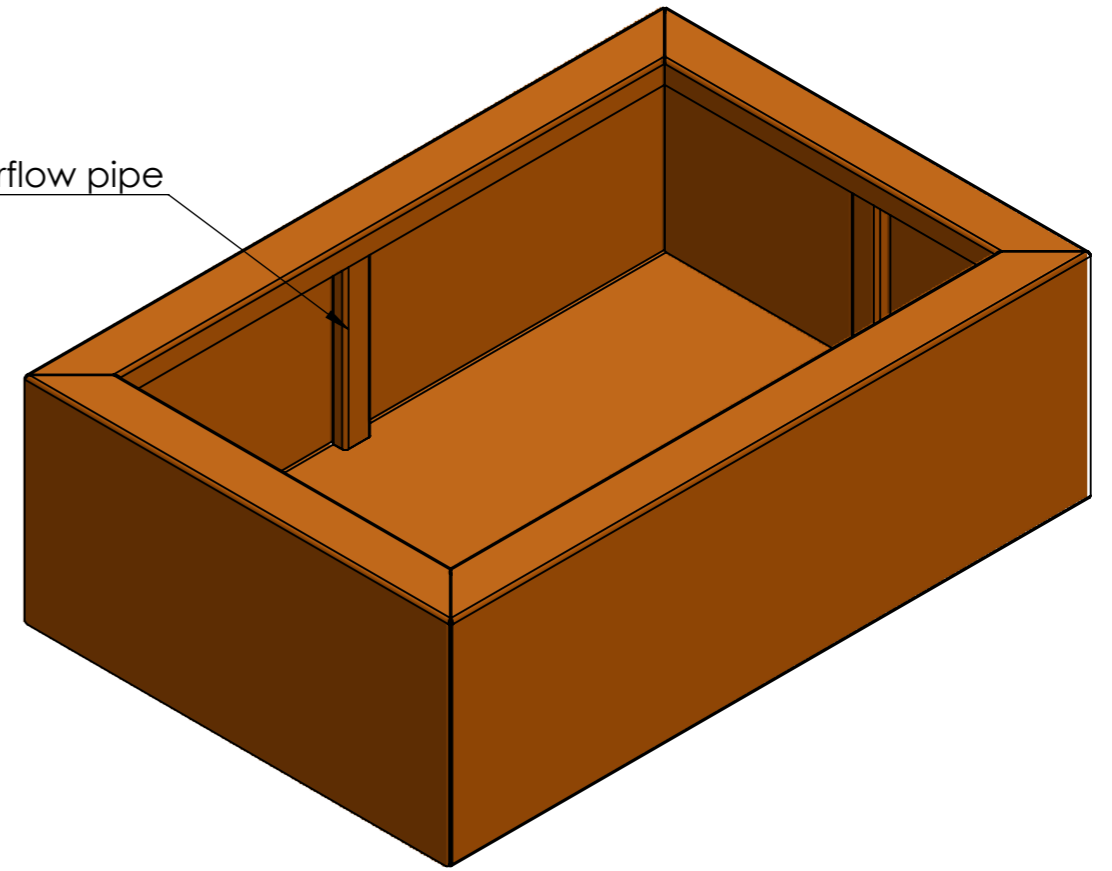
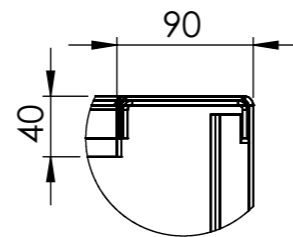


Overflow pipe



DETAIL A
SCALE 1 : 5



DETAIL B
SCALE 1 : 5

DRAWN	Luuk van den Heuvel	DATE	26-6-2023		TITLE:			
REVISION					Corten 3mm			
				Liessentstraat 4, 5405 AG Uden (NL). † 0031 (0)413 - 27 41 68. e info@adezz.com, i www.adezz.com		Drawing:	VC11.1--	A3
Color:	-	Mass (kg):	83.03	SCALE:1:10	SHEET 1 OF 10			